



## Beverage Dispensing System Hot Beverage Dispenser for soluble powder, 2 containers, black

ITEM # \_\_\_\_\_

MODEL # \_\_\_\_\_

NAME # \_\_\_\_\_

SIS # \_\_\_\_\_

AIA # \_\_\_\_\_



560024 (GH2)

Soluble powder hot  
Beverage Dispenser with  
2x500 gr containers and 2,4  
l water tank

### Short Form Specification

Item No. \_\_\_\_\_

Hot beverage dispenser for powder based drinks with 2 containers, 500gr each and 2,4lt water tank. Front panel LED backlighting. Completely removable powder containers. Sliding panel for easy filling of the water tank. Mechanical and programmable control board. Multilanguage menu. Chip card on request.

### Main Features

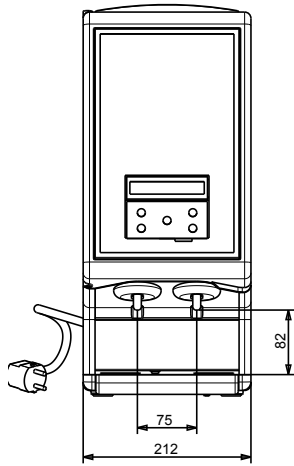
- Hot beverage dispenser for powder based drinks.
- Front panel LED backlighting.
- Completely removable powder containers.
- Sliding panel for easy filling of the water tank.
- While the machine works, display indicates:
  - dispensing phase
  - water level too low;
  - flavour being delivered;
  - cleaning required;
  - heating stage;
  - expired credit, if the machine is equipped with the chip card system;
  - filter replacement required.
- Mechanical and programmable control board.
- Multilanguage menu.
- Chip card on request.

APPROVAL: \_\_\_\_\_

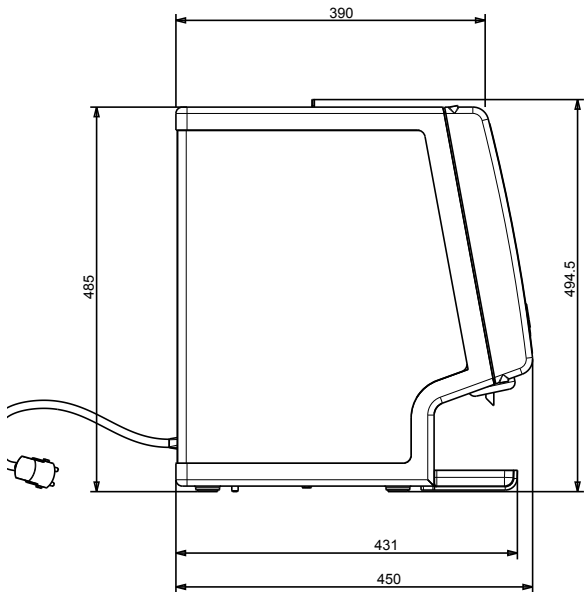


Experience the Excellence  
[www.electroluxprofessional.com](http://www.electroluxprofessional.com)

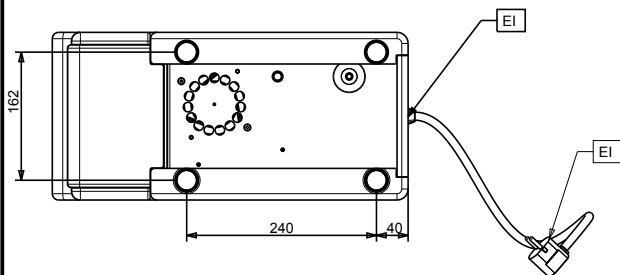
Front



Side



Top





**Electrolux**  
PROFESSIONAL

## Beverage Dispensing System Hot Beverage Dispenser for soluble powder, 2 containers, black

### Electric

Supply voltage: 220-240 V/1 ph/50 Hz  
Electrical power, max: 1.25 kW

### Key Information:

Net weight: 15 kg  
Shipping weight: 18 kg  
Shipping height: 620 mm  
Shipping width: 260 mm  
Shipping depth: 520 mm  
Shipping volume: 0.08 m<sup>3</sup>



Beverage Dispensing System  
Hot Beverage Dispenser for soluble powder, 2 containers, black  
The company reserves the right to make modifications to the products  
without prior notice. All information correct at time of printing.

2025.10.15